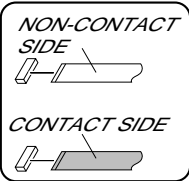


# 2.2 EXTERIOR SECTION

A

Refer to "2.3 CONTROL PANEL (LOWER) SECTION".

Refer to "2.4 CONTROL PANEL (UPPER) SECTION".



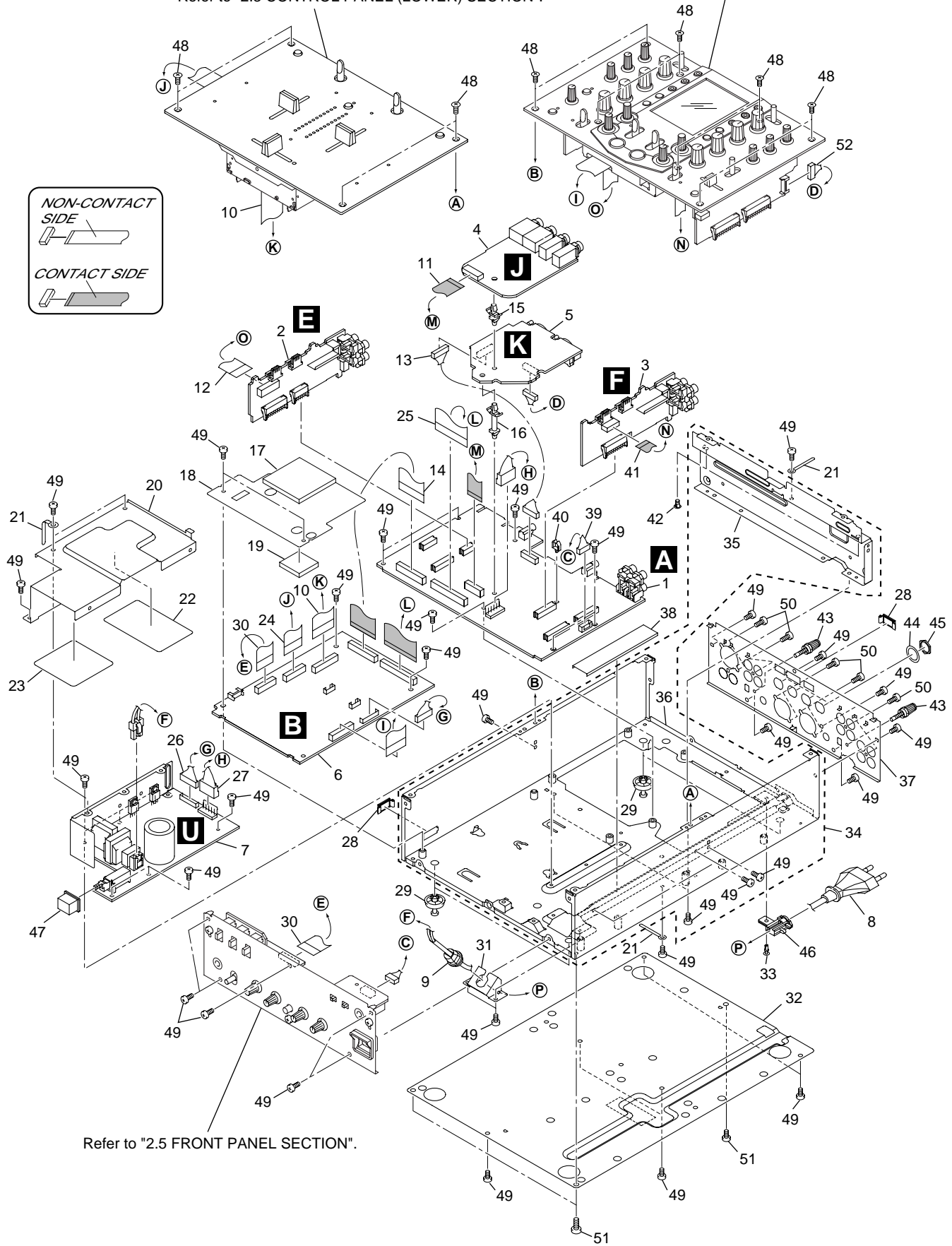
B

C

D

E

F



Refer to "2.5 FRONT PANEL SECTION".

## EXTERIOR SECTION Parts List

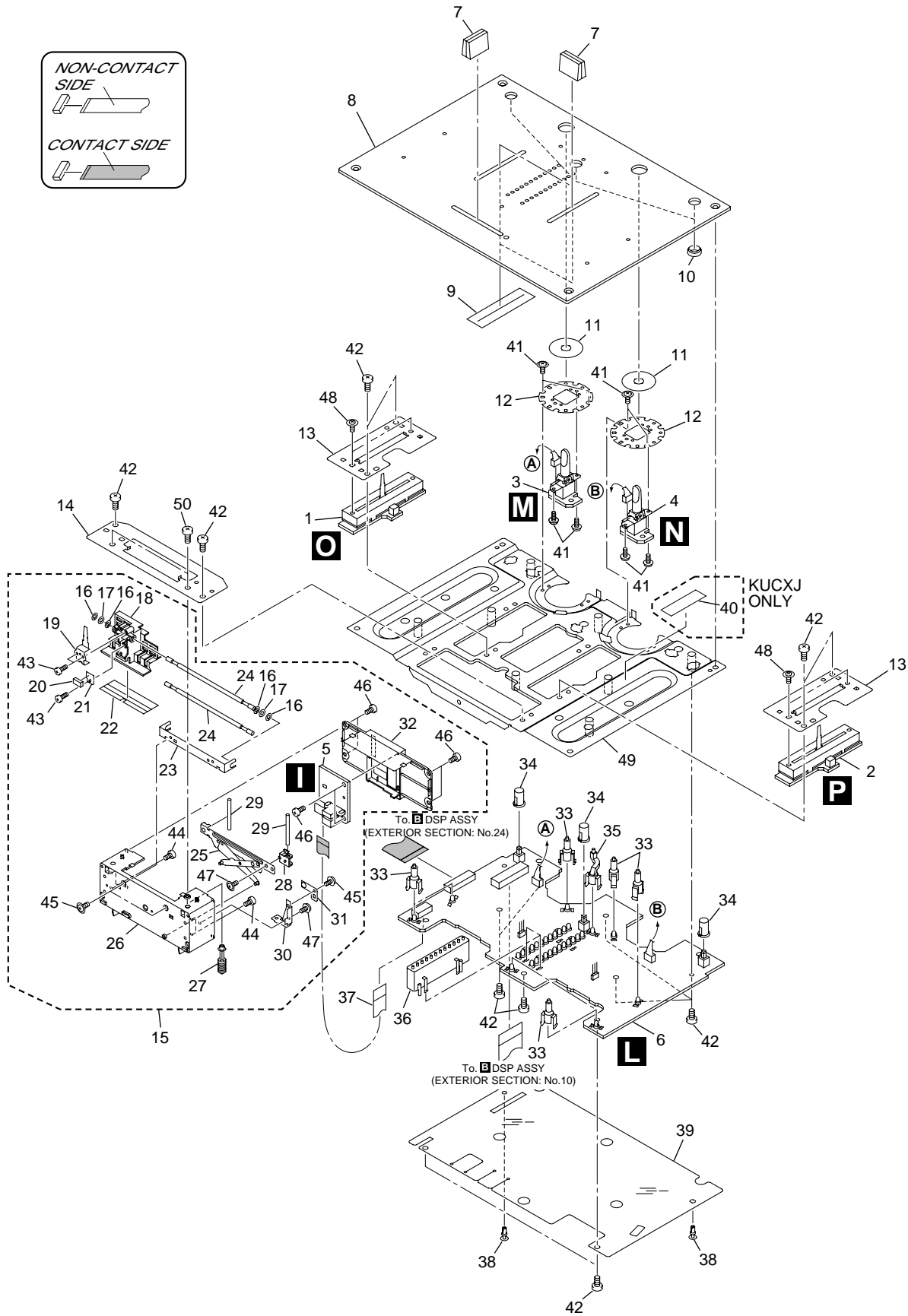
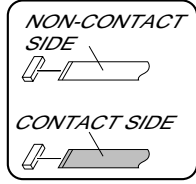
| Mark No. | Description          | Part No.              | Mark No. | Description          | Part No.              |
|----------|----------------------|-----------------------|----------|----------------------|-----------------------|
| 1        | MAIN Assy            | DWX2337               | 28       | Blind Cap            | DNK4218               |
| 2        | C1BF Assy            | DWS1328               | 29       | Foot                 | REC-434               |
| 3        | C2BF Assy            | DWS1329               | 30       | Flexible Cable (17P) | DDD1246               |
| 4        | SDRT Assy            | DWX2321               |          |                      |                       |
| 5        | XLR Assy             | DWX2322               | 31       | Cord Stopper Stay    | DNH2576               |
|          |                      |                       | NSP 32   | Bottom Plate         | DNH2570               |
| 6        | DSP Assy             | DWX2316               | 33       | Rivet                | RBM-003               |
| ⚠ 7      | SW POWER SUPPLY      | DWR1377               | NSP 34   | Chassis (9) Assy     | DXB1815               |
| ⚠ 8      | AC Power Cord        | See Contrast table(2) | NSP 35   | Partition Plate      | DNH2573               |
| ⚠ 9      | Strain Relief        | See Contrast table(2) |          |                      |                       |
| 10       | Flexible Cable (23P) | DDD1239               | NSP 36   | Chassis (9)          | DNA1296               |
|          |                      |                       | NSP 37   | Rear Panel           | See Contrast table(2) |
| 11       | Flexible Cable (15P) | DDD1243               | 38       | Shield Sheet A       | DEC2569               |
| 12       | Flexible Cable (17P) | DDD1234               | 39       | Connector Assy (6P)  | DKP3661               |
| 13       | Connector Assy (9P)  | DKP3662               | 40       | Mini Clamp           | DEC2588               |
| 14       | Flexible Cable (27P) | DDD1242               |          |                      |                       |
| 15       | Locking Card Spacer  | PNW2917               | 41       | Flexible Cable (11P) | DDD1245               |
|          |                      |                       | 42       | Card Spacer          | DNK2769               |
| NSP 16   | PC Support           | VEC1584               | 43       | Terminal Screw       | AKE-031               |
| 17       | Spacer B             | DEC2622               | 44       | Washer               | DBE1010               |
| 18       | Shield Sheet G       | DEC2610               | 45       | Nut                  | NKX2FUC               |
| 19       | Spacer A             | DEC2617               |          |                      |                       |
| NSP 20   | Shield Case          | DNH2572               | 46       | Cord Cover           | DNK4197               |
|          |                      |                       | 47       | Power Knob           | DAC2133               |
| NSP 21   | Cord Stopper         | ZCB-069Z              | 48       | Screw                | CMZ30P100FZK          |
| 22       | Shield Sheet B       | DEC2570               | 49       | Screw                | BBZ30P060FZK          |
| 23       | Shield Sheet C       | DEC2584               | 50       | Screw                | BPZ30P080FMC          |
| 24       | Flexible Cable (19P) | DDD1238               |          |                      |                       |
| 25       | Flexible Cable (35P) | DDD1241               | 51       | Screw                | BBZ40P120FMC          |
|          |                      |                       | 52       | Connector Assy (8P)  | DKP3660               |
| 26       | Connector Assy       | PF08EE-D15            |          |                      |                       |
| 27       | Connector Assy       | DKP3659               |          |                      |                       |

### (2) CONTRAST TABLE

DJM-909/ KUCXJ, DJM-909/ WYXJ and DJM-909/ TLTXJ are constructed the same except for the following :

| Mark | No. | Symbol and Description | DJM-909<br>KUCXJ | DJM-909<br>WYXJ | DJM-909<br>TLTXJ |
|------|-----|------------------------|------------------|-----------------|------------------|
| ⚠    | 8   | AC Power Cord          | VDG1075          | VDG1077         | VDG1077          |
| ⚠    | 9   | Strain Relief          | CM-22C           | CM-22B          | CM-22B           |
| NSP  | 37  | Rear Panel             | DNC1656          | DNC1655         | DNC1657          |

# 2.3 CONTROL PANEL (LOWER) SECTION



**CONTROL PANEL (LOWER) SECTION Parts List**

| <u>Mark No.</u> | <u>Description</u> | <u>Part No.</u> | <u>Mark No.</u> | <u>Description</u>  | <u>Part No.</u>       |
|-----------------|--------------------|-----------------|-----------------|---------------------|-----------------------|
| 1               | FVA1 Assy          | DWX2323         | 26              | Case A              | DNK4193               |
| 2               | FVA2 Assy          | DWX2324         | 27              | Worm gear S         | DNK4195               |
| 3               | C1TR Assy          | DWS1334         | 28              | Rack gear S         | DNK4196               |
| 4               | C2TR Assy          | DWS1335         | 29              | MG Shaft            | DLA1947               |
| 5               | FDVR Assy          | DWX2320         | 30              | WG Holder           | DNF1681               |
| 6               | LVMR Assy          | DWS1330         | 31              | WG Spring           | DBK1245               |
| 7               | Slider Knob (L)    | DNK4210         | 32              | Case B              | DNK4194               |
| 8               | Control Panel (D9) | DNB1121         | 33              | LED Lens (C)        | DNK4217               |
| 9               | Fader Packing (A)  | DEC2571         | 34              | Push SW Knob (B)    | DNK4207               |
| 10              | Push SW Guide      | DNK4208         | 35              | LED Lens (B)        | DNK4216               |
| 11              | SW Packing (A)     | DEC2573         | 36              | Level Meter Holder  | DNK4214               |
| 12              | Transform Panel    | DNF1682         | 37              | Flexible Cable (9P) | DDD1240               |
| 13              | CH Fader Bracket   | DNF1683         | 38              | Rivet               | RBM-003               |
| 14              | CR Fader Bracket   | DNF1684         | 39              | Shield Sheet (F)    | DEC2591               |
| 15              | Cross Fader Assy-S | DXX2535         | 40              | 65 Label (S)        | See Contrast table(2) |
| 16              | Washer             | WT28D060D025    | 41              | Screw               | AMZ26P040FMC          |
| 17              | O Ring (2.8)       | DEB1618         | 42              | Screw               | BBZ30P060FZK          |
| 18              | Slider Base        | DNK4192         | 43              | Screw               | BPZ20P060FMC          |
| 19              | Lever Plate        | DNH2564         | 44              | Screw               | CPZ26P100FZK          |
| 20              | Fader Magnet       | DMG1010         | 45              | Screw               | AMZ20P040FMC          |
| 21              | Yoke               | DNH2569         | 46              | Screw               | BPZ20P050FMC          |
| 22              | Encoder Plate S    | DEC2568         | 47              | Screw               | PBA1062               |
| 23              | Stopper S          | DNH2578         | 48              | Thin Head Screw     | DBA1198               |
| 24              | Guide Shaft        | DLA1966         | NSP 49          | Panel Stay (D) Assy | DXB1787               |
| 25              | MG Plate Assy      | DXA1968         | 50              | Screw               | BPZ30P080FMC          |

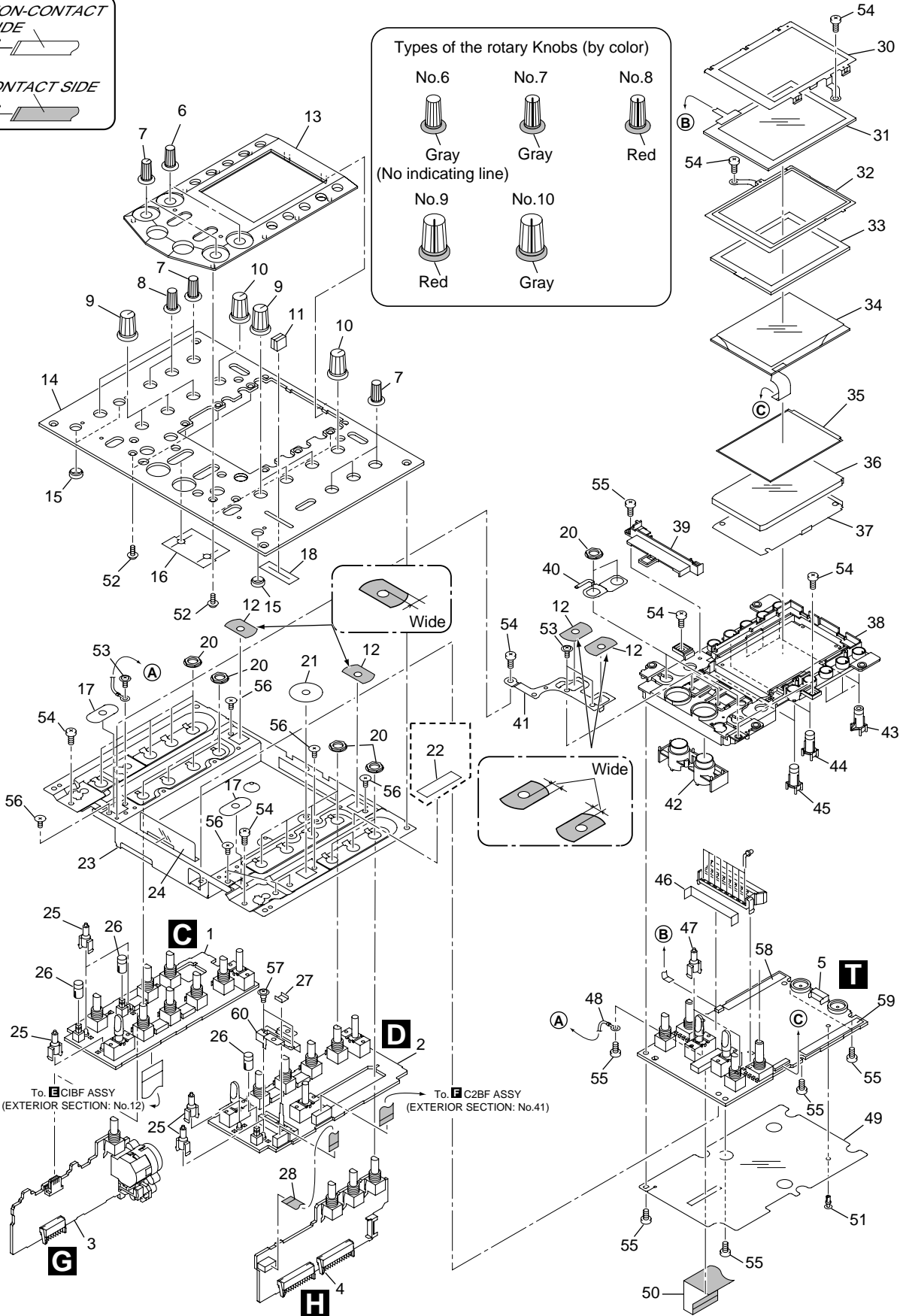
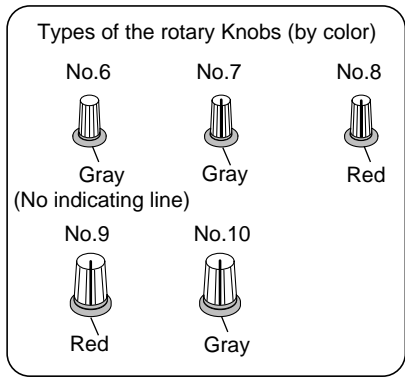
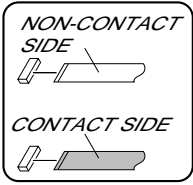
**(2) CONTRAST TABLE**

DJM-909/ KUCXJ, DJM-909/ WYXJ and DJM-909/ TLXJ are constructed the same except for the following :

| Mark | No. | Symbol and Description | DJM-909<br>KUCXJ | DJM-909<br>WYXJ | DJM-909<br>TLXJ |
|------|-----|------------------------|------------------|-----------------|-----------------|
|      | 40  | 65 Label (S)           | DRW2164          | Not used        | Not used        |

# 2.4 CONTROL PANEL (UPPER) SECTION

A



## CONTROL PANEL (UPPER) SECTION Parts List

| Mark No. | Description               | Part No.              | Mark No. | Description          | Part No.     |
|----------|---------------------------|-----------------------|----------|----------------------|--------------|
| 1        | C1EQ Assy                 | DWS1326               | 31       | Touch Panel          | DSX1062      |
| 2        | C2EQ Assy                 | DWS1327               | 32       | Bracket              | DNH2574      |
| 3        | MICB Assy                 | DWX2318               | 33       | Gasket               | DEC2632      |
| 4        | HPBO Assy                 | DWX2319               | 34       | LCD Module           | DAV1002      |
| 5        | LCD Assy                  | DWX2317               | 35       | Diffusion Sheet      | DEC2619      |
| 6        | Rotary Knob (Small: Gray) | DNK4205               | 36       | Lighting Conductor   | DNK4200      |
| 7        | Rotary Knob (Small: Gray) | DNK4203               | 37       | Reflection Sheet     | DEC2620      |
| 8        | Rotary Knob (Small: Red)  | DNK4204               | 38       | LCD Holder           | DNK4199      |
| 9        | Rotary Knob (Large: Red)  | DNK4202               | 39       | LCD Holder (M)       | DNK4225      |
| 10       | Rotary Knob (Large: Gray) | DNK4201               | 40       | Earth Spring         | DBK1248      |
| 11       | Slider Knob (S)           | DNK4211               | 41       | Earth Bracket        | DNH2575      |
| 12       | SW Packing (D)            | DEC2580               | 42       | Tap Knob             | DNK4209      |
| 13       | Escutcheon                | DNK4222               | 43       | Preset Knob          | DNK4306      |
| 14       | Control Panel (U9)        | DNB1120               | 44       | Tact Knob (E)        | DNK4265      |
| 15       | Push SW Guide             | DNK4208               | 45       | Tact Knob            | DNK4213      |
| 16       | SW Packing (C)            | DEC2621               | 46       | Shade Sheet          | DEC2631      |
| 17       | SW Packing (B)            | DEC2574               | 47       | LED Lens (C)         | DNK4217      |
| 18       | Fader Packing (B)         | DEC2572               | 48       | Earth Lug Assy       | DDX1191      |
| 19       | •••••                     |                       | 49       | Shield Sheet D       | DEC2579      |
| 20       | Flange Nut                | DBN1004               | 50       | Flexible Cable (21P) | DDD1237      |
| 21       | SW Packing (A)            | DEC2573               | 51       | Rivet                | RBM-003      |
| 22       | 65 Label (S)              | See Contrast table(2) | 52       | Screw                | PBA1062      |
| NSP 23   | Panel Stay (U9)           | DND1250               | 53       | Screw                | AMZ26P040FMC |
| 24       | Shield Sheet E            | DEC2581               | 54       | Screw                | BBZ30P060FZK |
| 25       | LED Lens (A)              | DNK4215               | 55       | Screw                | BPZ30P080FMC |
| 26       | Push SW Knob (A)          | DNK4206               | 56       | Screw                | CMZ26P050FZK |
| 27       | Cue Earth Plate           | DBK1252               | 57       | Screw                | DBA1141      |
| 28       | Flexible Cable (7P)       | DDD1244               | 58       | Knob Cushion L       | DEC2656      |
| 29       | •••••                     |                       | 59       | Knob Cushion R       | DEC2657      |
| 30       | Earth Plate               | DNH2577               | 60       | Cue Fader Bracket    | DNF1690      |

### (2) CONTRAST TABLE

DJM-909/ KUCXJ, DJM-909/ WYXJ and DJM-909/ TLTXJ are constructed the same except for the following :

| Mark | No. | Symbol and Description | DJM-909<br>KUCXJ | DJM-909<br>WYXJ | DJM-909<br>TLTXJ |
|------|-----|------------------------|------------------|-----------------|------------------|
|      | 22  | 65 Label (S)           | DRW2164          | Not used        | Not used         |

# 2.5 FRONT PANEL SECTION

A

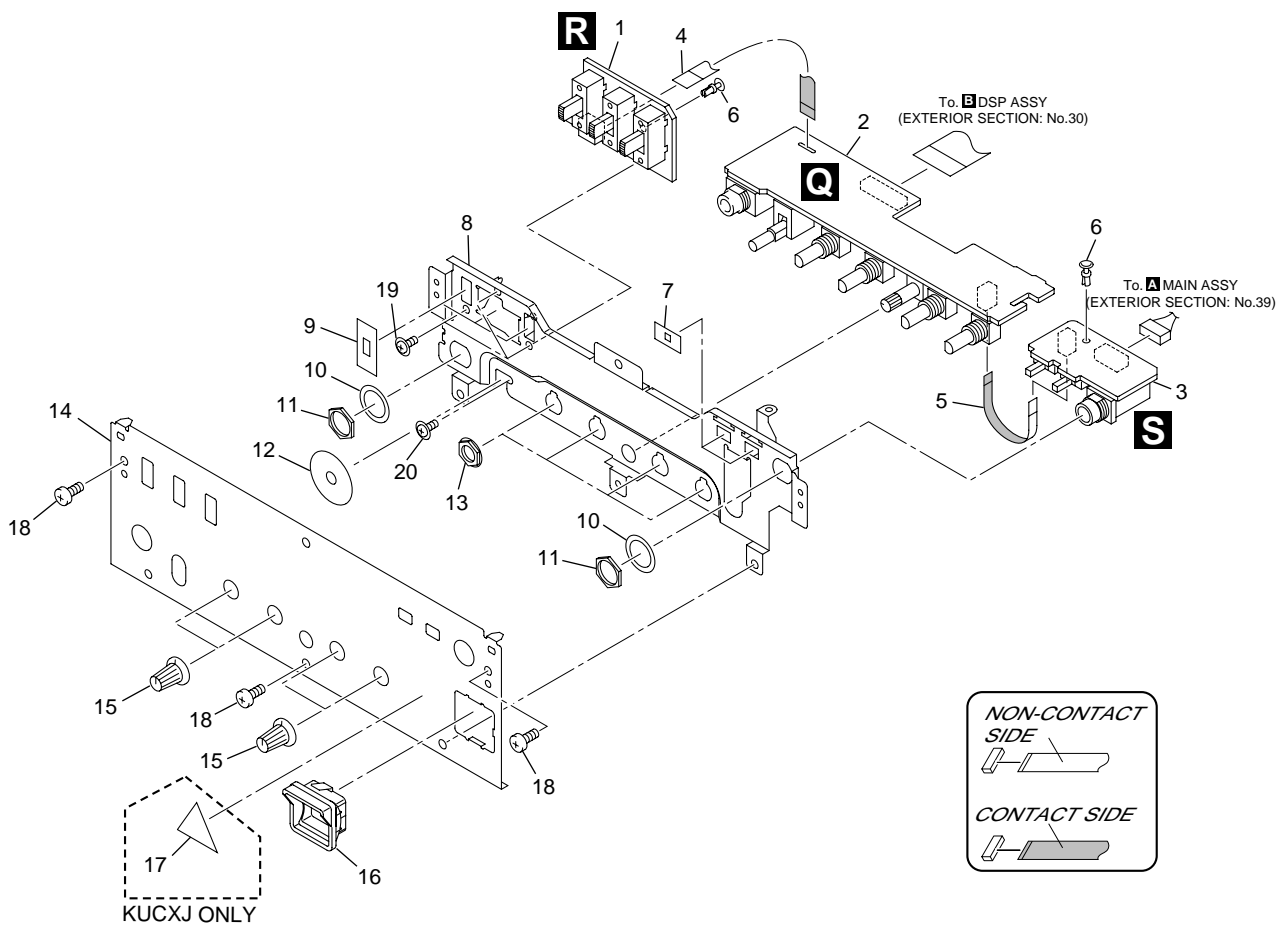
B

C

D

E

F



## FRONT PANEL SECTION Parts List

| <u>Mark No.</u> | <u>Description</u>   | <u>Part No.</u> | <u>Mark No.</u> | <u>Description</u> | <u>Part No.</u>       |
|-----------------|----------------------|-----------------|-----------------|--------------------|-----------------------|
| 1               | RVSW Assy            | DWS1332         | 11              | Nut                | NKX2FUC               |
| 2               | CFVR Assy            | DWS1331         | 12              | SW Packing (A)     | DEC2573               |
| 3               | FSSW Assy            | DWS1333         | 13              | Flange Nut         | DBN1004               |
| 4               | Flexible Cable (6P)  | DDD1235         | 14              | Front Panel (9)    | DNB1119               |
| 5               | Flexible Cable (3P)  | DDD1236         | 15              | Rotary Knob (SS)   | DAA1162               |
| 6               | Rivet                | RBM-003         | 16              | Power Knob Guide   | DNK4198               |
| 7               | Slide Packing (B)    | DEC2590         | NSP 17          | Caution Label      | See Contrast table(2) |
| NSP 8           | Front Panel Stay     | DNH2571         | 18              | Screw              | BBZ30P060FZK          |
| 9               | Slide SW Packing (A) | DEC2589         | 19              | Screw              | AMZ26P040FMC          |
| 10              | Washer               | DBE1010         | 20              | Screw              | PMA30P060FMC          |

### (2) CONTRAST TABLE

DJM-909/ KUCXJ, DJM-909/ WYXJ and DJM-909/ TLTXJ are constructed the same except for the following :

| Mark | No. | Symbol and Description | DJM-909<br>KUCXJ | DJM-909<br>WYXJ | DJM-909<br>TLTXJ |
|------|-----|------------------------|------------------|-----------------|------------------|
| NSP  | 17  | Caution Label          | DRW1975          | Not used        | Not used         |