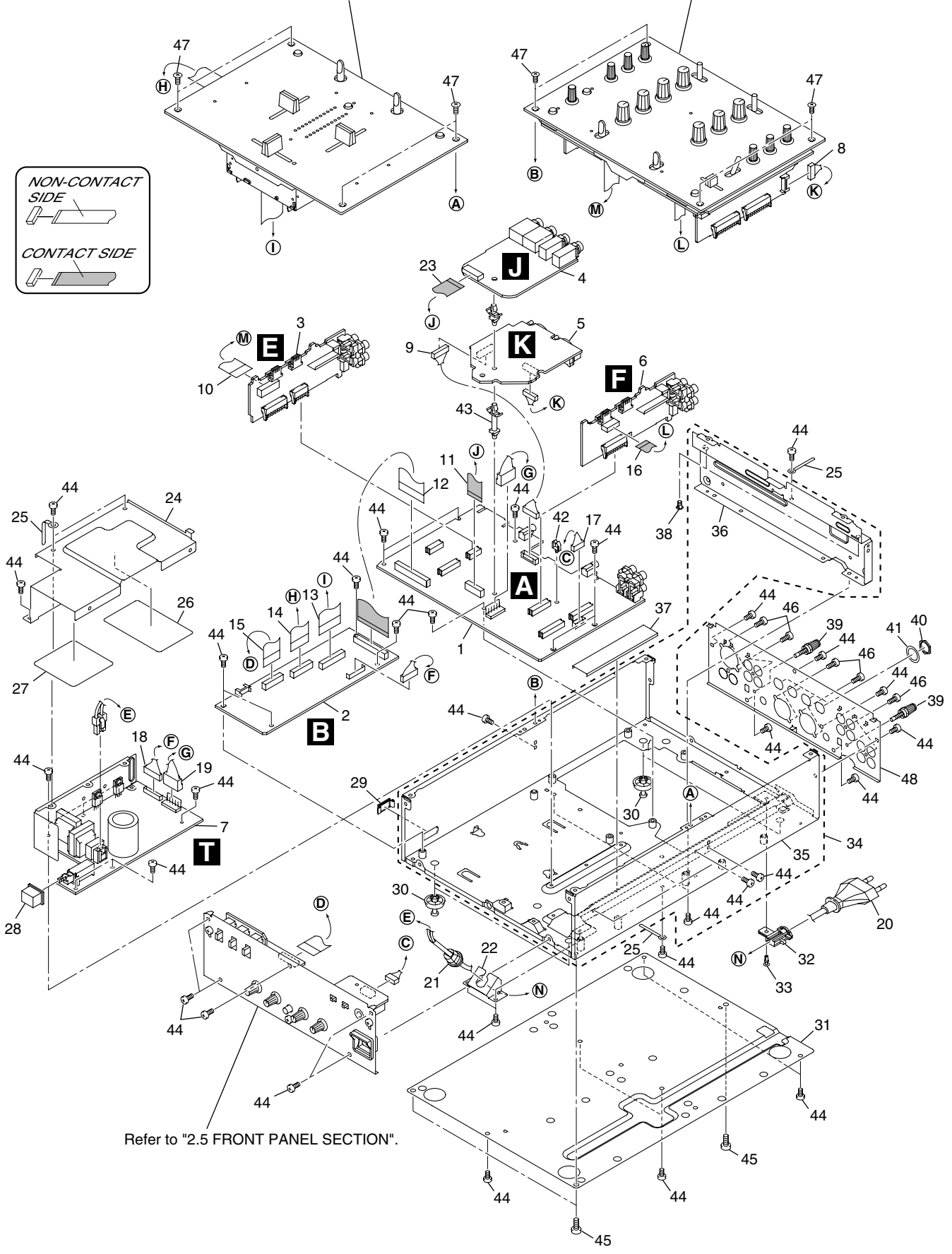
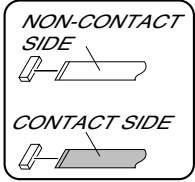


2.2 EXTERIOR SECTION

Refer to "2.3 CONTROL PANEL (LOWER) SECTION".

Refer to "2.4 CONTROL PANEL (UPPER) SECTION".



Refer to "2.5 FRONT PANEL SECTION".

EXTERIOR SECTION Parts List

<u>Mark No.</u>	<u>Description</u>	<u>Part No.</u>	<u>Mark No.</u>	<u>Description</u>	<u>Part No.</u>
1	MAIN Assy	DWX2338	26	Shield Sheet B	DEC2570
2	CONT Assy	DWX2335	27	Shield Sheet C	DEC2584
3	C1BF Assy	DWS1338	28	Power Knob	DAC2133
4	SDRT Assy	DWX2321	29	Blind Cap	DNK4218
5	XLR Assy	DWX2322	30	Foot	REC-434
6	C2BF Assy	DWS1339	NSP 31	Bottom Plate	DNH2570
⚠ 7	SW POWER SUPPLY	DWR1377	32	Cord Cover	DNK4197
8	Connector Assy (8P)	DKP3660	33	Rivet	RBM-003
9	Connector Assy (9P)	DKP3662	34	Chassis (7) Assy	DXB1816
10	Flexible Cable (17P)	DDD1234	NSP 35	Chassis (7)	DNA1297
11	Flexible Cable (15P)	DDD1243	NSP 36	Partition Plate	DNH2573
12	Flexible Cable (33P)	DDD1247	37	Shield Sheet A	DEC2569
13	Flexible Cable (23P)	DDD1239	38	Card Spacer	DNK2769
14	Flexible Cable (19P)	DDD1238	39	Terminal Screw	AKE-031
15	Flexible Cable (17P)	DDD1246	40	Nut	NKX2FUC
16	Flexible Cable (11P)	DDD1245	41	Washer	DBE1010
17	Connector Assy (6P)	DKP3661	42	Mini Clamp	DEC2588
18	Connector Assy	PF08EE-D17	NSP 43	PC Support	VEC1584
19	Connector Assy (5P)	DKP3659	44	Screw	BBZ30P060FZK
⚠ 20	AC Power Cord	See Contrast table(2)	45	Screw	BBZ40P120FMC
21	Strain Relief	See Contrast table(2)	46	Screw	BPZ30P080FMC
22	Cord Stopper Stay	DNH2576	47	Screw	CMZ30P100FZK
23	Locking Card Spacer	PNW2917	NSP 48	Rear Panel	See Contrast table(2)
NSP 24	Shield Case	DNH2572			
NSP 25	Cord Stopper	ZCB-069Z			

(2) CONTRAST TABLE

DJM-707/ KUCXJ, DJM-707/ WYXJ, DJM-707/ TLTXJ and DJM-707/NKXJ are constructed the same except for the following :

Mark	No.	Symbol and Description	DJM-707 KUCXJ	DJM-707 WYXJ	DJM-707 TLTXJ	DJM-707 NKXJ
⚠	20	AC Power Cord	VDG1075	VDG1077	VDG1077	VDG1096
⚠	21	Strain Relief	CM-22C	CM-22B	CM-22B	CM-22C
NSP	48	Rear Panel	DNC1662	DNC1661	DNC1663	DNC1665

2.3 CONTROL PANEL (LOWER) SECTION

A

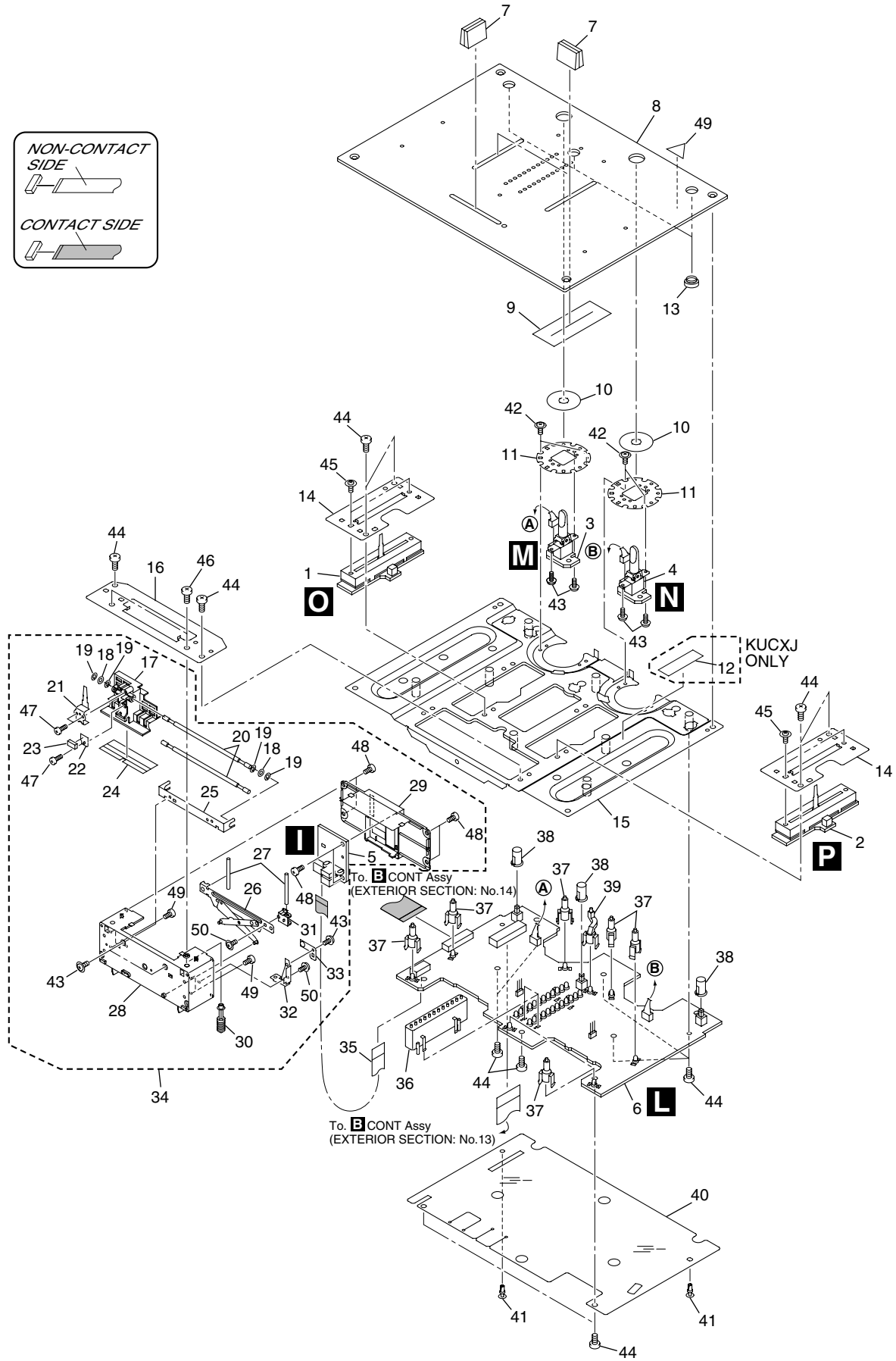
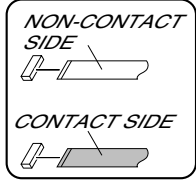
B

C

D

E

F



CONTROL PANEL (LOWER) SECTION Parts List

<u>Mark No.</u>	<u>Description</u>	<u>Part No.</u>	<u>Mark No.</u>	<u>Description</u>	<u>Part No.</u>
1	FVA1 Assy	DWX2323	26	MG Plate Assy	DXA1968
2	FVA2 Assy	DWX2324	27	MG Shaft	DLA1947
3	C1TR Assy	DWS1334	28	Case A	DNK4193
4	C2TR Assy	DWS1335	29	Case B	DNK4194
5	FDVR Assy	DWX2320	30	Worm Gear S	DNK4195
6	LVMR Assy	DWS1330	31	Rack Gear S	DNK4196
7	Slider Knob (L)	DNK4210	32	WG Holder	DNF1681
8	Control Panel (D7)	DNB1124	33	WG Spring	DBK1245
9	Fader Packing (A)	DEC2571	34	Cross Fader Assy-S	DXX2535
10	SW Packing (A)	DEC2573	35	Flexible Cable (9P)	DDD1240
11	Transform Panel	DNF1682	36	Level Meter Holder	DNK4214
12	65 Label (S)	See Contrast table (2)	37	LED Lens (C)	DNK4217
13	Push SW Guide	DNK4208	38	Push SW Knob (B)	DNK4207
14	CH Fader Bracket	DNF1683	39	LED Lens (B)	DNK4216
NSP 15	Panel Stay D Assy	DXB1787	40	Shield Sheet (F)	DEC2591
16	CR Fader Bracket	DNF1684	41	Rivet	RBM-003
17	Slider Base	DNK4192	42	Screw	AMZ26P040FMC
18	O Ring (2.8)	DEB1618	43	Screw	AMZ20P040FMC
19	Washer	WT28D060D025	44	Screw	BBZ30P060FZK
20	Guide Shaft	DLA1966	45	Thin Head Screw	DBA1198
21	Lever Plate	DNH2564	46	Screw	BPZ30P080FMC
22	Yoke	DNH2569	47	Screw	BPZ20P060FMC
23	Fader Magnet	DMG1010	48	Screw	BPZ20P050FMC
24	Encoder Plate S	DEC2568	NSP 49	Caution Label	See Contrast table (2)
25	Stopper S	DNH2578			

(2) CONTRAST TABLE

DJM-707/ KUCXJ, DJM-707/ WYXJ, DJM-707/ TLXJ and DJM-707/NKXJ are constructed the same except for the following :

Mark	No.	Symbol and Description	DJM-707 KUCXJ	DJM-707 WYXJ	DJM-707 TLXJ	DJM-707 NKXJ
	12	65 Label (S)	DRW2164	Not used	Not used	Not used
NSP	49	Caution Label	DRW1975	Not used	Not used	Not used

2.4 CONTROL PANEL (UPPER) SECTION

A

B

C

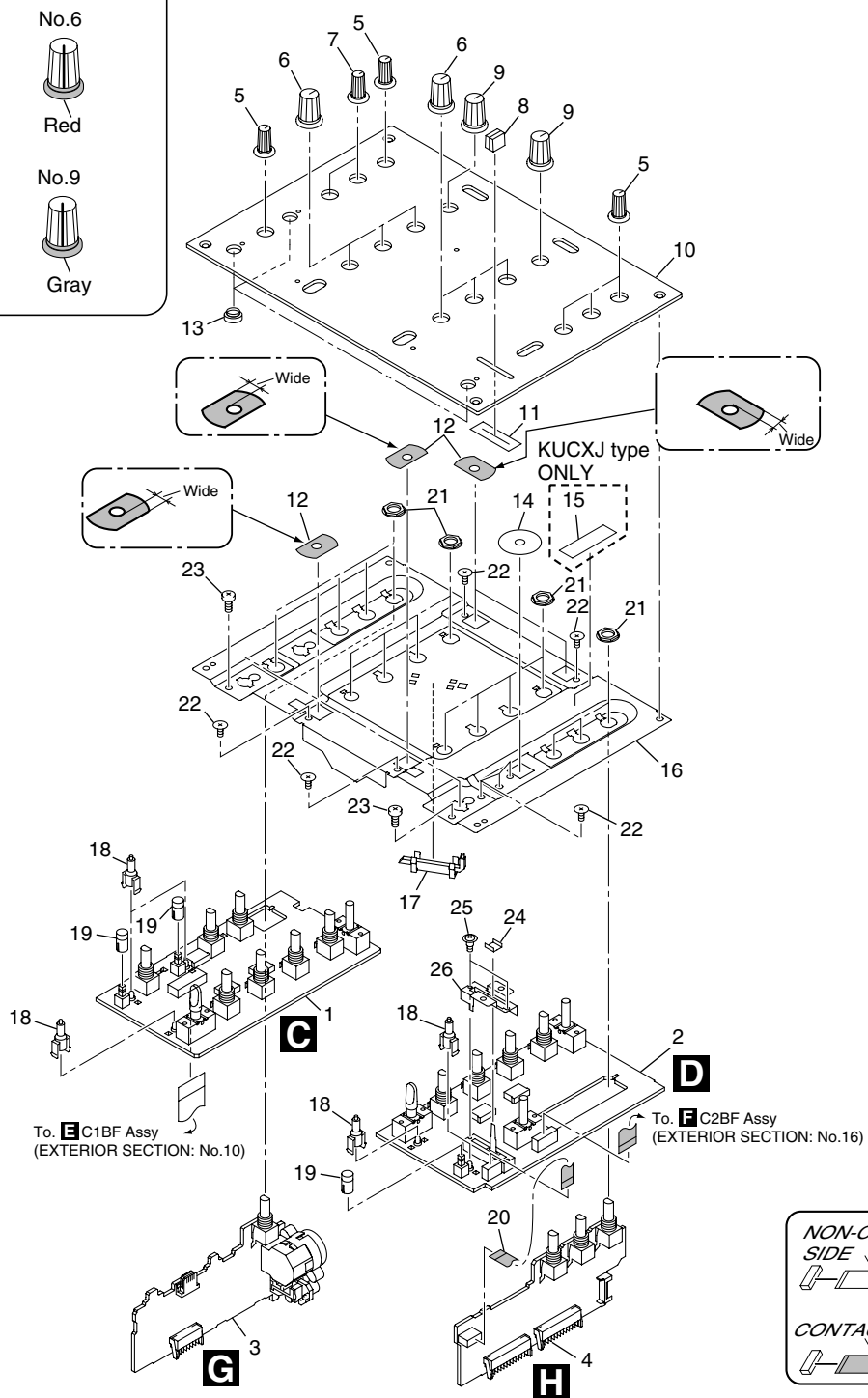
D

E

F

Types of the rotary knobs (by color)

No.5 Gray	No.6 Red
No.7 Red	No.9 Gray



NON-CONTACT SIDE

CONTACT SIDE

CONTROL PANEL (UPPER) Parts List

<u>Mark No.</u>	<u>Description</u>	<u>Part No.</u>	<u>Mark No.</u>	<u>Description</u>	<u>Part No.</u>
1	C1EQ Assy	DWS1336	NSP 16	Panel Stay (U7)	DND1249
2	C2EQ Assy	DWS1337	17	LED Lens (E)	DNK4227
3	MICB Assy	DWX2363	18	LED Lens (A)	DNK4215
4	HPBO Assy	DWX2319	19	Push SW Knob (A)	DNK4206
5	Rotary Knob (Small: Red)	DNK4203	20	Flexible Cable (7P)	DDD1244
6	Rotary Knob (Large: Red)	DNK4202	21	Flange Nut M9	DBN1004
7	Rotary Knob (Small Red)	DNK4204	22	Screw	CMZ26P050FZK
8	Slider Knob (L)	DNK4211	23	Screw	BBZ30P060FZK
9	Rotary Knob (Large: Gray)	DNK4201	24	Cue Earth Plate	DBK1252
10	Control Panel (U7)	DNB1123	25	Screw	DBA1141
11	Fader Packing (B)	DEC2572	26	Cue Fader Bracket	DNF1690
12	SW Packing (D)	DEC2580			
13	Push SW Guide	DNK4208			
14	SW Packing (A)	DEC2573			
15	65 Label (S)	See Contrast table(2)			

(2) CONTRAST TABLE

DJM-707/ KUCXJ, DJM-707/ WYXJ and DJM-707/ TLTXJ and DJM-707/NKXJ are constructed the same except for the following :

Mark	No.	Symbol and Description	DJM-707 KUCXJ	DJM-707 WYXJ	DJM-707 TLTXJ	DJM-707 NKXJ
	15	65 Label (S)	DRW2164	Not used	Not used	Not used

2.5 FRONT PANEL SECTION

A

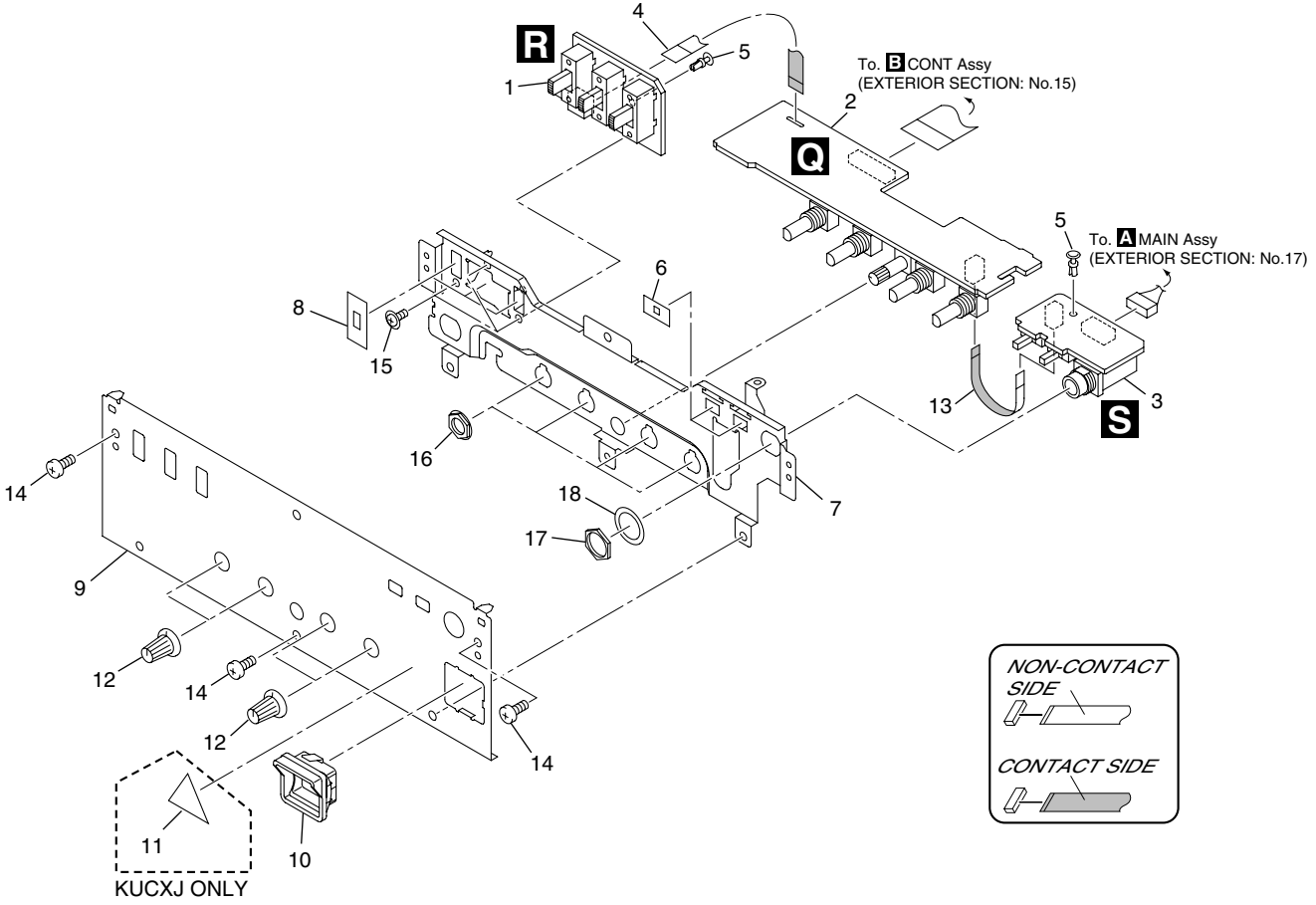
B

C

D

E

F



FRONT PANEL Parts List

<u>Mark No.</u>	<u>Description</u>	<u>Part No.</u>	<u>Mark No.</u>	<u>Description</u>	<u>Part No.</u>
1	RVSW Assy	DWS1332	11	Caution Label	See Contrast table(2)
2	CFVR Assy	DWS1341	12	Rotary Knob (SS)	DAA1162
3	FSSW Assy	DWS1333	13	Flexible Cable (3P)	DDD1236
4	Flexible Cable (6P)	DDD1235	14	Screw	BBZ30P060FZK
5	Rivet	RBM-003	15	Screw	AMZ26P040FMC
6	Slide SW Packing (B)	DEC2590	16	Flange Nut M9	DBN1004
NSP 7	Front Panel Stay	DNH2571	17	Nut	NKX2FUC
8	Slide SW Packing (A)	DEC2589	18	Washer	DBE1010
9	Front Panel (7)	DNB1122			
10	Power Knob Guide	DNK4198			

(2) CONTRAST TABLE

DJM-707/ KUCXJ, DJM-707 WYXJ, DJM-707/ TLTXJ and DJM-707/NKXJ are constructed the same except for the following :

Mark	No.	Symbol and Description	DJM-707 KUCXJ	DJM-707 WYXJ	DJM-707 TLTXJ	DJM-707 NKXJ
NSP	11	Caution Label	DRW1975	Not used	Not used	Not used