

9.2 EXTERIOR SECTION

1

2

3

4

A

Refer to "9.3 CONTROL PANEL SECTION".

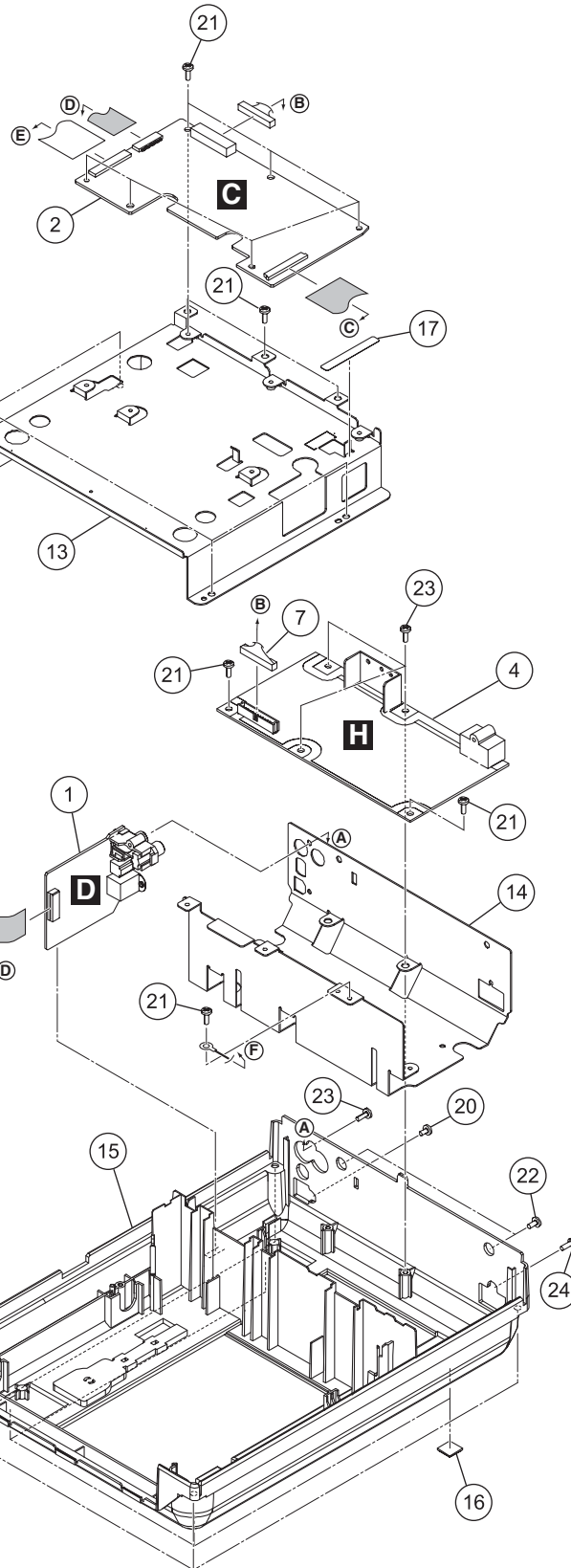
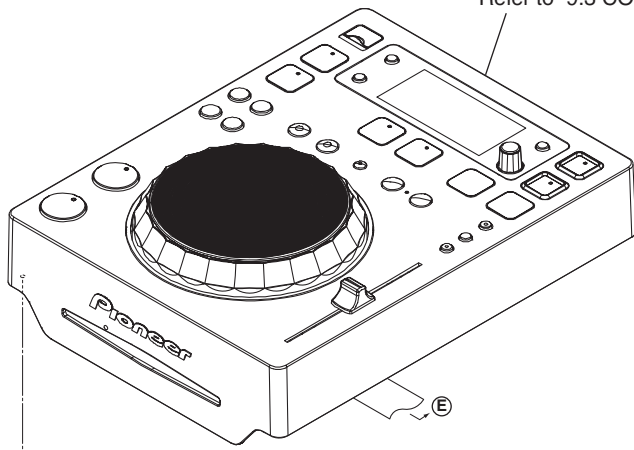
B

C

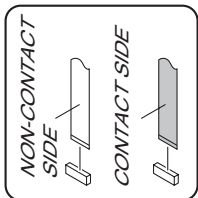
D

E

F



Refer to "9.4 SLOTIN MECHA SECTION".



1

2

3

4

(1) EXTERIOR SECTION PARTS LIST

Mark No.	Description	Part No.
1	JACK Assy	DWX3107
2	MAIN Assy	DWX3105
3	CNCT Assy	DWX3111
⚠	4 SMPS Assy	See Contrast table (2)
5	17P FFC	DDD1494
6	50P FFC	DDD1536
7	Connector Assy 13P	DKP3865
8	Earth Lead wire	DE007VE0
9	Damper	CNV6011
10	Earth Spring	DBH1398
11	Float Spring (G5)	DBH1494
12	Mecha Plate	DNH2642
13	Main PCB Stay	DNH2914
14	Rear Chassis	DNH2915
⚠NSP	15 Chassis	See Contrast table (2)
16	Rubber Foot	VEB1349
NSP	17 P. U. Caution Label	DRW2448
18	•••••	
19	•••••	
20	Screw (M3 x 5)	DBA1340
21	Screw	ABZ30P060FTC
22	Screw	BBZ30P060FTB
23	Screw	BPZ30P080FTB
24	Screw	PPZ30P080FTB

(2) CONTRAST TABLE

CDJ-350/SYXJ8, CUXJ, FLXJ, KXJ5 and AXJ5 are constructed the same except for the following:

Mark	No.	Symbol and Description	CDJ-350 /SYXJ8	CDJ-350 /CUXJ	CDJ-350 /FLXJ	CDJ-350 /KXJ5	CDJ-350 /AXJ5
⚠	4	SMPS Assy	DWR1482	DWR1481	DWR1482	DWR1482	DWR1482
⚠NSP	15	Chassis	DNK5576	DNK5780	DNK5781	DNK5784	DNK5782

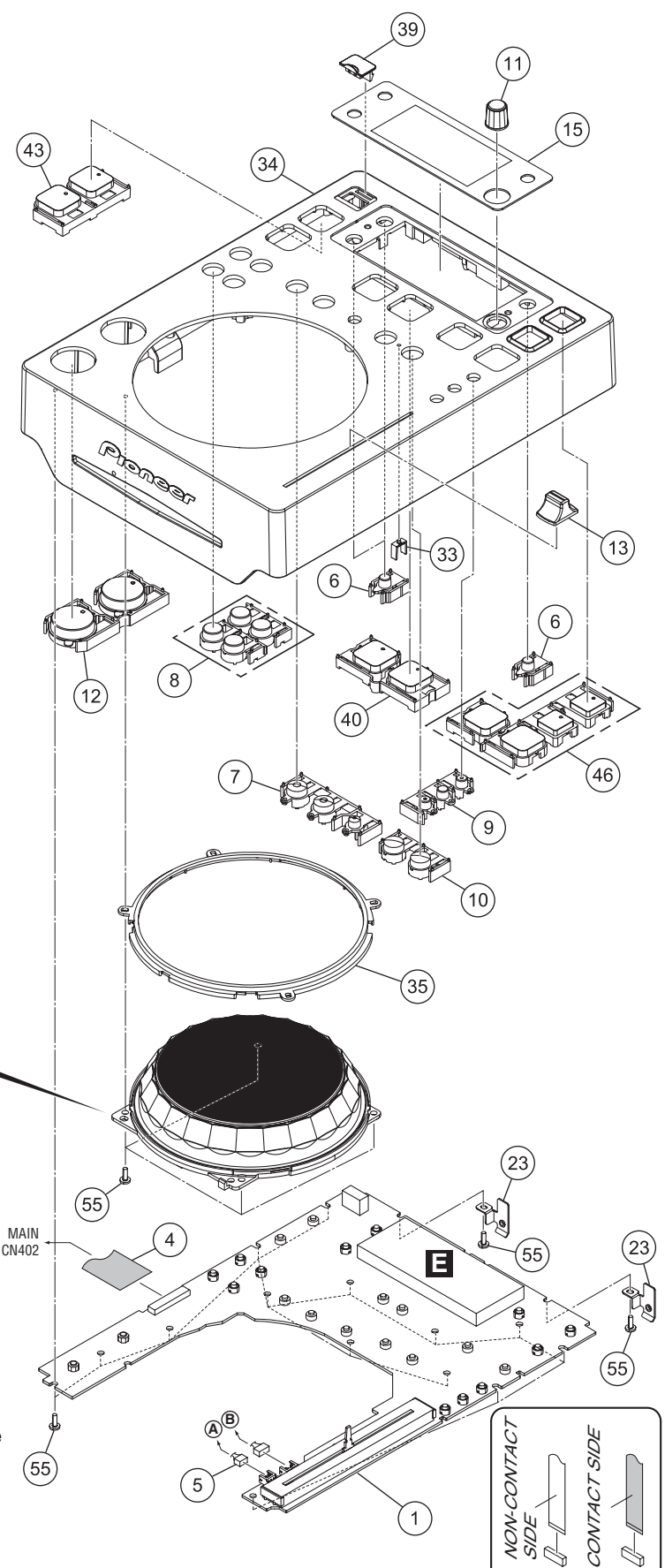
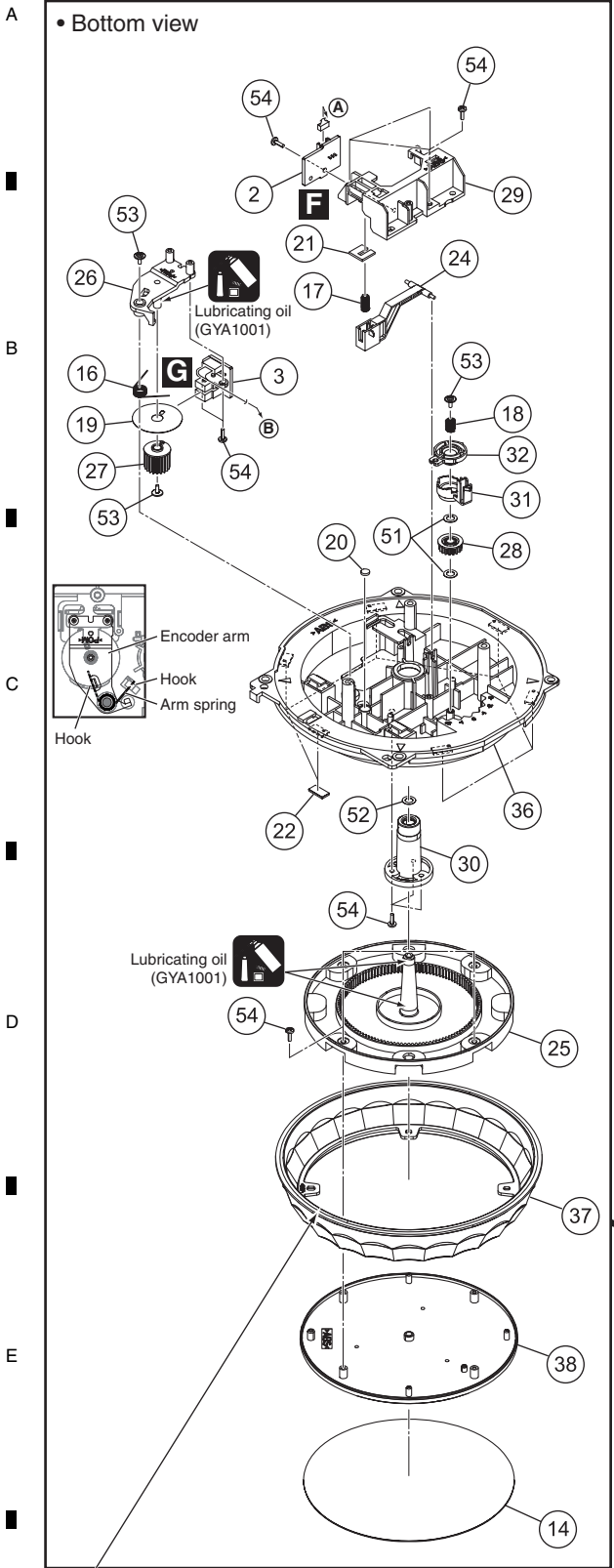
9.3 CONTROL PANEL SECTION

1

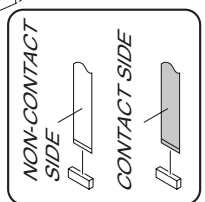
2

3

4



Note:
 During reassembly, be careful not to scratch the sliding surface of the back side of the Jog dial B.
 (Scratches on the sliding surface may cause noise during turning of the Jog dial.)



1

2

3

4

CONTROL PANEL SECTION PARTS LIST

<u>Mark No.</u>	<u>Description</u>	<u>Part No.</u>	<u>Mark No.</u>	<u>Description</u>	<u>Part No.</u>
1	PNLB Assy	DWX3106	46	Standby Button Assy	DXB2065
2	TCHB Assy	DWX3109	47	•••••	
3	JOGB Assy	DWX3124	48	•••••	
4	27P FFC	DDD1537	49	•••••	
5	Connector Assy	PF03PP-B17	50	•••••	
6	Display Button	DAC2574	51	Washer	WA41D070D025
7	Loop Button	DAC2575	52	Washer	WT32D080D050
8	Search Button	DAC2576	53	Screw (FE)	DBA1265
9	Vinyl Tempo Button	DAC2577	54	Screw	BPZ20P060FTC
			55	Screw	BPZ30P080FTB
10	Beat Loop Button	DAC2578			
11	Dial Knob	DAC2579			
12	Play Button	DAC2580			
13	Slide Knob	DAC2594			
14	Jog Plate	DAH2775			
15	Display Panel	DAH2789			
16	Arm Spring	DBH1612			
17	Lever Spring	DBH1726			
18	Load Spring	DBH1727			
19	Encorder Plate	DEC2889			
20	Lever Cushion (A)	DEC3001			
21	Lever Cushion (B)	DEC3002			
22	Slide Sheet	DEC3227			
23	Ground Holder	DNH2917			
24	Jog Lever	DNK4763			
25	Jog Shaft	DNK4934			
26	Encorder Arm	DNK4936			
27	Encorder Gear	DNK4937			
28	Load Gear	DNK5178			
29	Lever Holder	DNK5206			
30	Shaft Holder	DNK5514			
31	Cam Plate	DNK5546			
32	Push Plate	DNK5547			
33	Beat Loop Lens	DNK5548			
⚠	34 Control Panel	DNK5549			
	35 Color Ring A	DNK5550			
36	Jog Holder	DNK5552			
37	Jog Dial B	DNK5571			
38	Jog Dial A	DNK5574			
39	USB Cover	DNK5657			
40	Source Select B Assy	DXB2063			
41	•••••				
42	•••••				
43	USB Stop Button Assy	DXB2064			
44	•••••				
45	•••••				