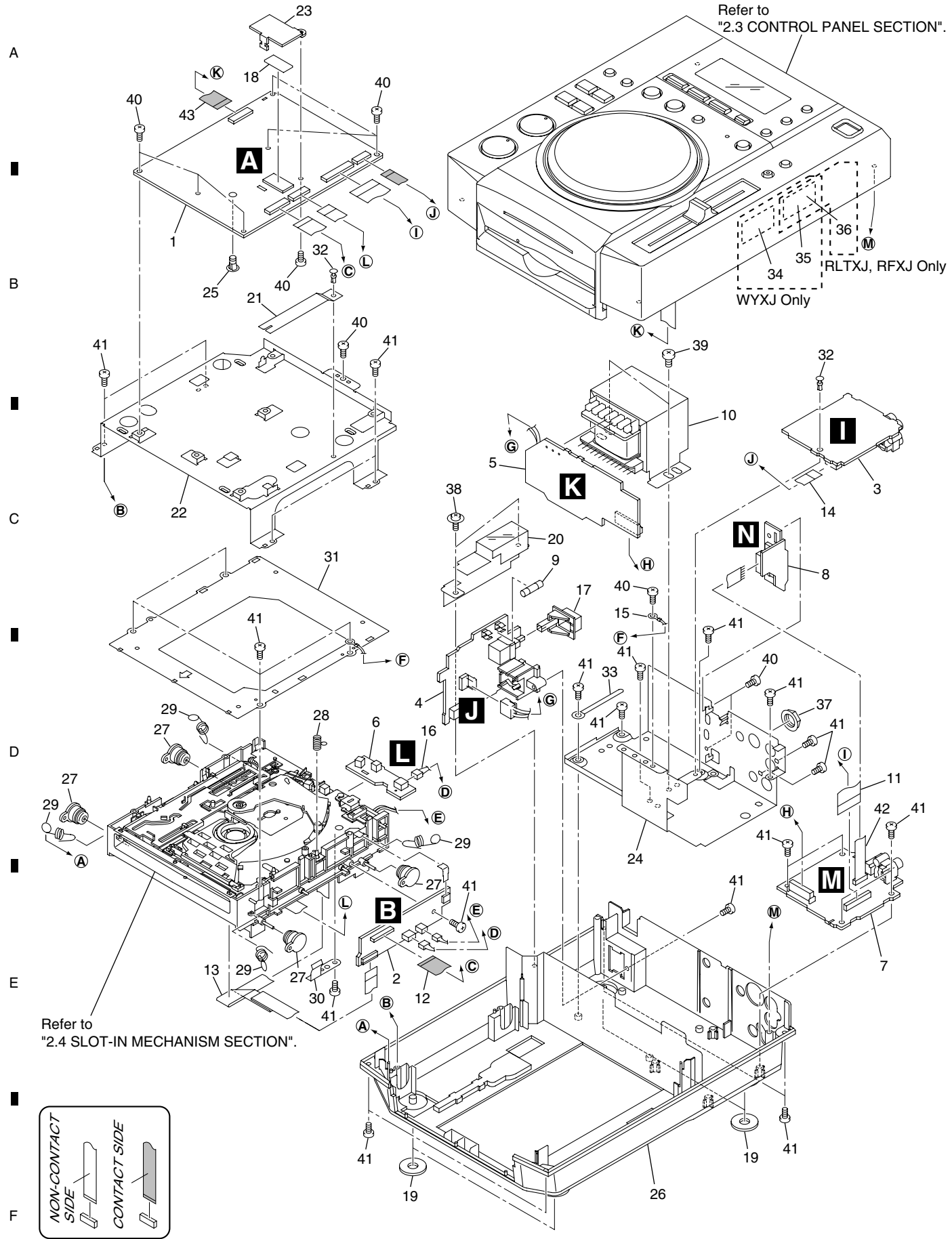


2.2 EXTERIOR SECTION



(1) EXTERIOR SECTION PARTS LIST

<u>Mark No.</u>	<u>Description</u>	<u>Part No.</u>	<u>Mark No.</u>	<u>Description</u>	<u>Part No.</u>
1	MAIN Assy	DWG1587	23	Heatsink	DNH2641
2	RLYB Assy	DWX2429	24	Trans. Plate	DNH2670
3	JACK Assy	DWX2433	25	Card Spacer	DNK2769
4	ACIN Assy	See Contrast table (2)			
5	TRNS Assy	See Contrast table (2)	NSP 26	Chassis	See Contrast table (2)
			27	Damper	CNV6011
6	SLMB Assy	DWS1355	28	Earth Spring	DBH1398
7	SECB Assy	DWR1394	29	Float Spring G5	DBH1494
8	REGB Assy	DWR1393	30	FPC Guard	DBK1282
⚠ 9	Fuse (FU11)	See Contrast table (2)	31	Mecha Plate	DNH2642
⚠ 10	Power Transformer (T22)	See Contrast table (2)	32	Nyron Rivet (3 x 4.5)	RBM-003
			33	Cord Clamper	RNH-184
11	24P Flexible Cable	DDD1275	34	Caution Label HE	See Contrast table (2)
12	32P Flexible Cable	DDD1276	35	Caution Label	See Contrast table (2)
13	24P Flexible Cable	DDD1278			
14	9P Flexible Cable	DDD1279	36	Caution Label	See Contrast table (2)
15	Earth Lead Unit/300V	DDF1032	37	Nut M12	DBN1012
			38	DM Screw	DBA1260
16	Connector Assy	PF03PP-B17	39	Screw	BBZ40P060FTC
17	Power Button	DAC2254	40	Screw	BBZ30P060FTC
NSP 18	Silicone Sheet D5 L	DEB1456			
19	Insulator	DEC2250	41	Screw	BPZ30P080FTC
20	Protector	DEC2808	42	Jumper Wire 6P(J904)	D20PDY0610E
			43	15P Flexible Cable	DDD1277
21	PU Caution	DEC2856			
22	PCB Stay	DNH2640			

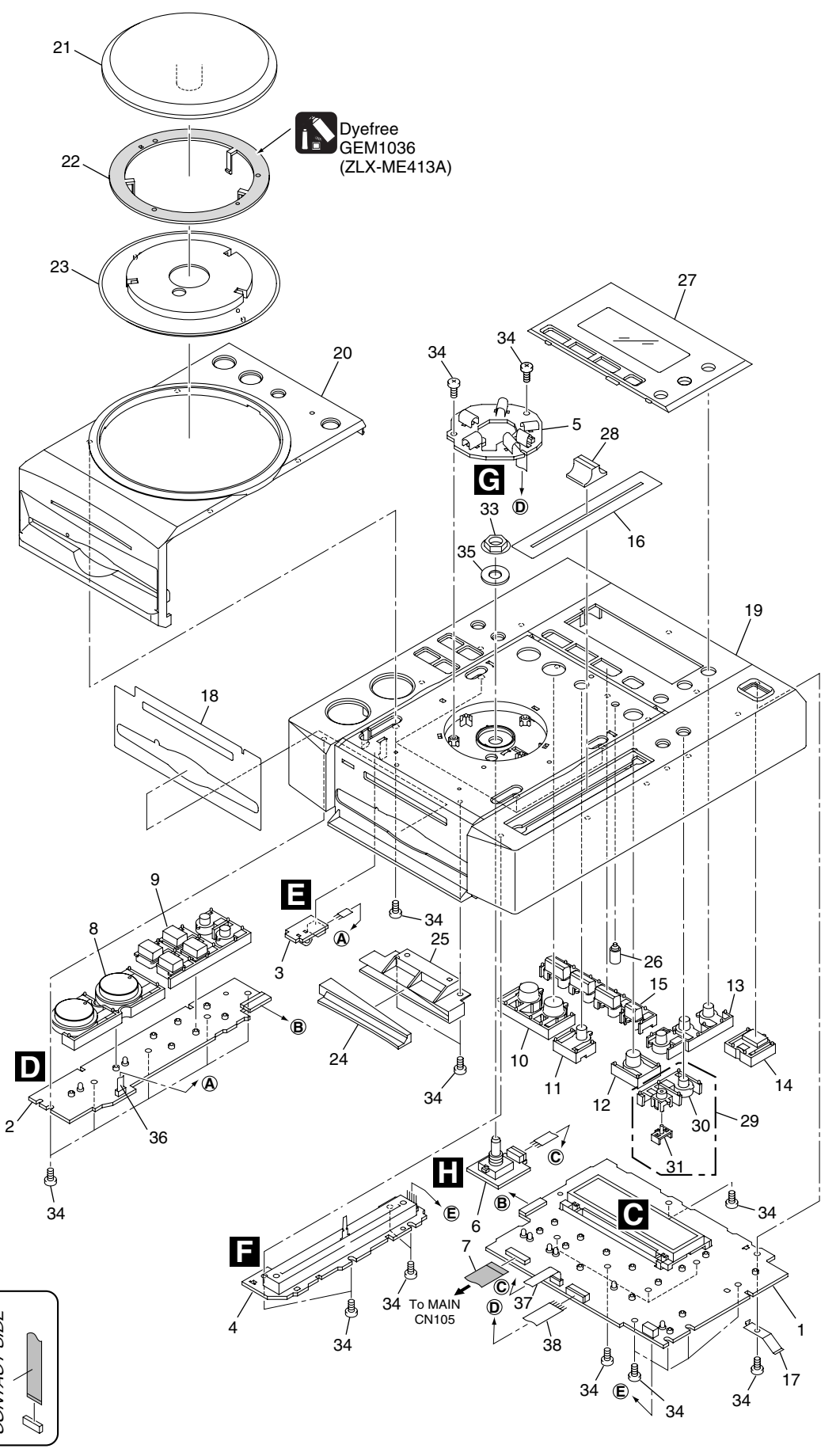
(2) CONTRAST TABLE

CDJ-200/KUCXJ, RLTXJ, WYXJ and RFXJ are constructed the same except for the following:

<u>Mark</u>	<u>No.</u>	<u>Symbol and Description</u>	<u>CDJ-200/ KUCXJ</u>	<u>CDJ-200/ RLTXJ</u>	<u>CDJ-200/ WYXJ</u>	<u>CDJ-200/ RFXJ</u>
	4	ACIN Assy	DWR1388	DWR1389	DWR1387	DWR1389
	5	TRNS Assy	DWR1391	DWR1392	DWR1391	DWR1392
⚠	9	Fuse (FU11 : 2.0A/125V)	REK1111	Not used	Not used	Not used
⚠	9	Fuse (FU11 : T1AL250V)	Not used	REK1022	REK1022	REK1022
⚠	10	Power Transformer (T22)	DTT1172	DTT1171	DTT1171	DTT1171
NSP	26	Chassis	DNK4423	DNK4424	DNK4386	DNK4427
	34	Caution Label HE	Not used	Not used	PRW1233	Not used
	35	Caution Label	Not used	Not used	VRW1094	Not used
	36	Caution Label	Not used	PRW1018	Not used	DRW2248

2.3 CONTROL PANEL SECTION

A
B
C
D
E
F



5 6 7 8

CONTROL PANEL SECTION PARTS LIST

<u>Mark No.</u>	<u>Description</u>	<u>Part No.</u>	
1	DISP Assy	DWG1588	
2	KSWB Assy	DWS1356	A
3	INDB Assy	DWX2438	
4	SLDB Assy	DWX2430	
5	JLED Assy	DWX2432	
6	JOGB Assy	DWX2431	
7	15P Flexible Cable	DDD1277	
8	PLAY Button	DAC2244	
9	SEARCH Button	DAC2245	
10	LOOP Button	DAC2246	
11	RELOOP Button	DAC2270	B
12	BEAT LOOP Button	DAC2271	
13	TIME Button	DAC2249	
14	EJECT Button	DAC2253	
15	JET Button	DAC2266	
16	Slide Sheet (GRAY)	DAH2374	
17	Earth Plate	DBK1224	
18	Vessel Sheet	DEC2751	
19	Control Panel A	DNK4384	
20	Control Panel B	DNK4385	C
21	Jog Dial	DNK4387	
22	POM Ring	DNK4388	
23	Jog Lens	DNK4389	
24	Front Lens	DNK4390	
25	Reflector	DNK4391	
26	BEAT Lens	DNK4392	
27	Display Panel	DNK4492	
28	Slide Knob (SILVER)	DNK4448	
29	TEMPO Button Assy	DXA2014	
30	TEMPO Button	DAC2258	D
31	TEMPO Lens	DNK4421	
32	•••••		
33	Nut M9	DBN1008	
34	Screw	BPZ30P080FTC	
35	JOG Washer	DBF1002	
36	Jumper Wire 3P	D20PDY0305E	
37	Jumper Wire 4P	D20PDY0405E	
38	Jumper Wire 6P	D20PDY0610E	E