

2.2 EXTERIOR SECTION

1

2

3

4

A

B

C

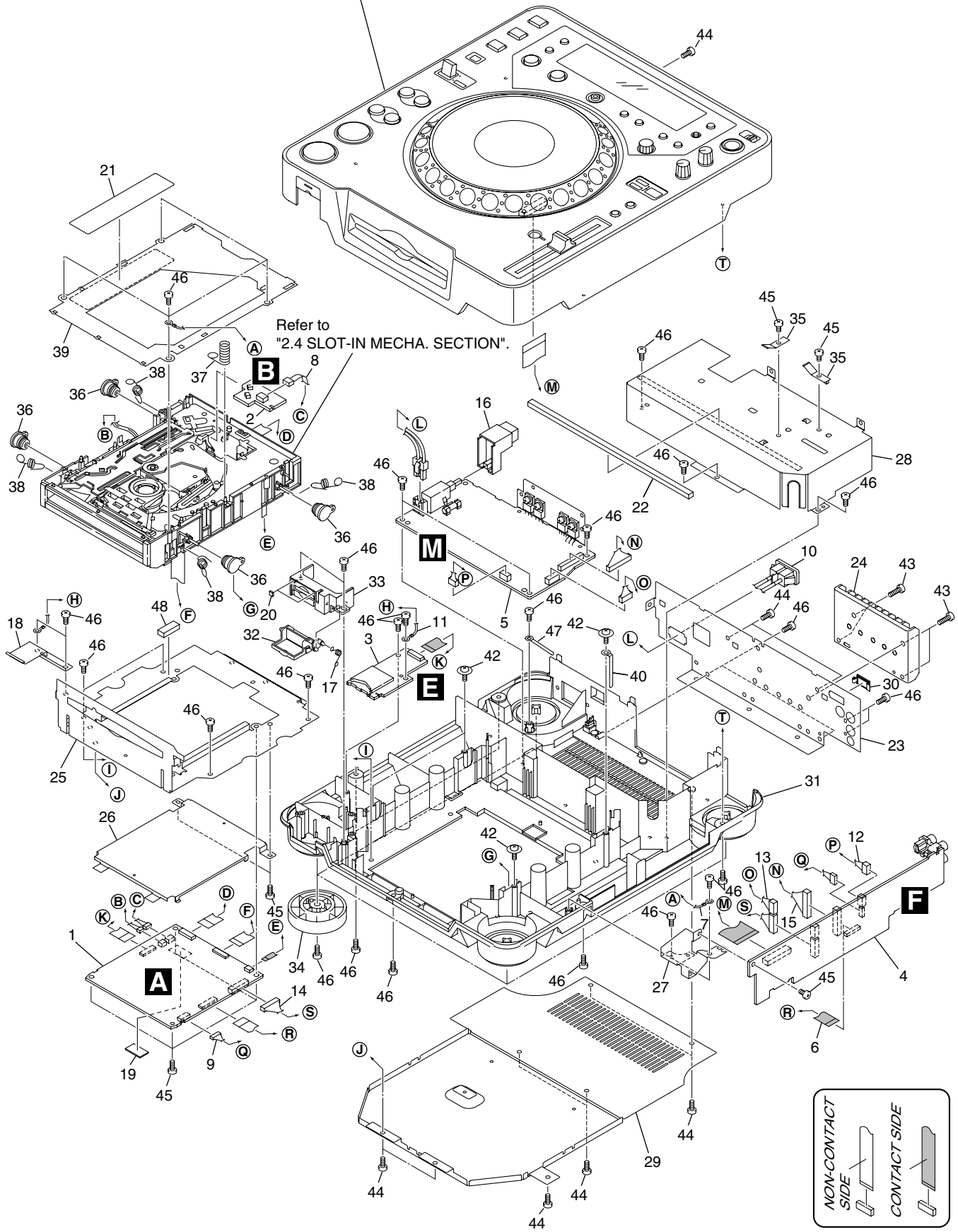
D

E

F

Refer to
"2.3 CONTROL PANEL SECTION".

Refer to
"2.4 SLOT-IN MECHA. SECTION".



CDJ-1000MK3

1

2

3

4

(1) EXTERIOR SECTION PARTS LIST

Mark No.	Description	Part No.	Mark No.	Description	Part No.
1	MAIN Assy	DWG1591	27	Earth Plate C	DNH2715
2	SLMB Assy	DWS1366	28	Shield Box	DNH2728
3	SDCB Assy	DWX2558	29	Bottom Plate	See Contrast table (2)
4	MJCB Assy	DWG1605	30	Blind Cap	DNK4218
△	5 SW POWER SUPPLY Assy	DWR1409	31	Chassis	DNK4553
6	15P Flexible Cable	DDD1301	32	Card Door	DNK4554
7	Earth Lead Unit/300V	DDF1032	33	Card Holder	DNK4555
8	Connector Assy 3P	DKP3751	34	Insulator Assy	DXA2092
9	Connector Assy 6P	DKP3752	35	Earth Plate	VBK1070
△	10 Inlet Assy	See Contrast table (2)	36	Damper	CNV6011
11	Earth Lead Unit/300V	PDF1104	37	Earth Spring	DBH1398
12	Connector Assy	PF04PP-Q12	38	Float Spring G5	DBH1494
13	Connector Assy	PF06PP-Q15	39	Mecha. Plate	DNH2339
14	Connector Assy	PF09PP-B12	40	Cord Clamper	RNH-184
15	Connector Assy	PF11EE-R15	41	Binder (SKB-90BK)	ZCA-SKB90BK
16	Power Button	DAC2314	42	DM Screw	DBA1260
17	Door Spring	DBH1565	43	Screw	BBT30P100FTB
18	Card Spring	DBK1295	44	Screw	BBZ30P060FTB
NSP	19 Silicone Sheet D5 L	DEB1456	45	Screw	BBZ30P060FTC
20	Door Cushion	DEB1780	46	Screw	BPZ30P080FTB
21	Laser Caution	See Contrast table (2)	NSP 47	Cord Clamper (069Z)	ZCB-069Z
22	Dust Guard	DEC2939	48	FFC Guard	DEC2586
NSP	23 Rear Panel	See Contrast table (2)			
24	Heatsink	DNG1099			
25	PCB Stay	DNH2711			
26	Shield Case	DNH2712			

(2) CONTRAST TABLE

CDJ-1000MK3/KUCXJ, WYXJ5 and TLFJ are constructed the same except for the following:

Mark	No.	Symbol and Description	CDJ-1000MK3/KUCXJ	CDJ-1000MK3/WYXJ5	CDJ-1000MK3/TLFJ
△	10	Inlet Assy	DKP3754	DKP3753	DKP3753
	21	Laser Caution (7L)	DRW2308	DRW2308	Not used
	21	Laser Caution	Not used	Not used	DRW2248
NSP	23	Rear Panel	DNC1765	DNC1758	DNC1766
	29	Bottom Plate	DNH2710	DNH2710	DNH2732

2.3 CONTROL PANEL SECTION

A

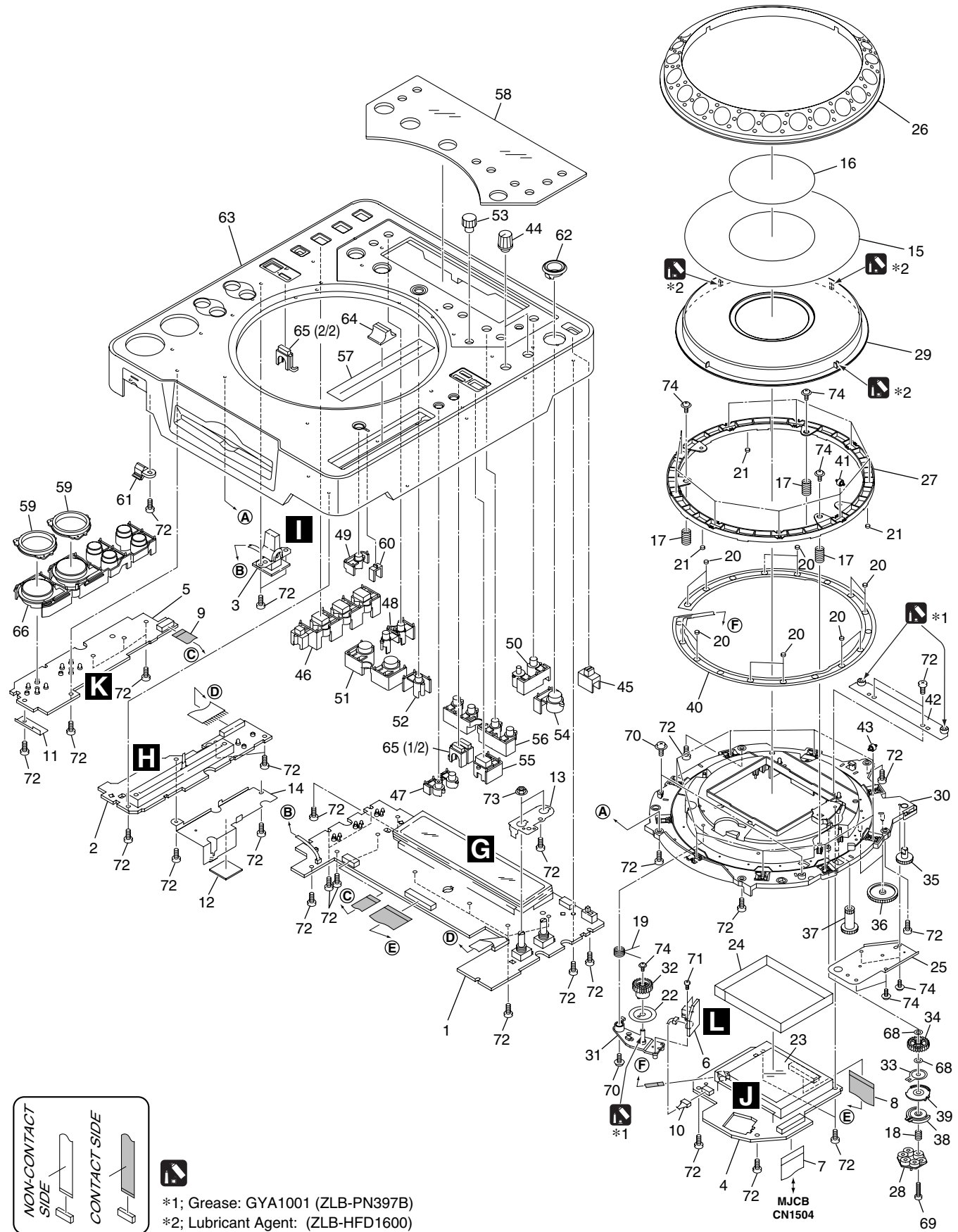
B

C

D

E

F



*1; Grease: GYA1001 (ZLB-PN397B)
 *2; Lubricant Agent: (ZLB-HFD1600)

CDJ-1000MK3

5 6 CONTROL PANEL SECTION PARTS LIST

Mark No.	Description	Part No.	Mark No.	Description	Part No.
1	MFLB Assy	DWG1606	46	Set Knob (HS)	DAC1986
2	SLDB Assy	DWS1367	47	Set Knob (MT)	DAC1987
3	RSWB Assy	DWS1368	48	Set Knob (TIME)	DAC1991
4	JFLB Assy	DWG1602	49	Tempo Reset Knob	DAC1993
5	KSWB Assy	DWS1365	50	Set Knob (MEMO)	DAC1994
6	JOGB Assy	DWG1603	51	Set Knob (LOOP)	DAC1995
7	22P Flexible Cable	DDD1302	52	Re-Loop Button	DAC2347
8	25P Flexible Cable	DDD1303	53	Adjust Knob	DAC2350
9	10P Flexible Cable	DDD1304	54	Eject Knob	DAC2365
10	Connector Assy	PF04PP-B07	55	Mode Select Knob	DAC2366
11	LED Guard	DEC2932	56	Set Knob (SC)	DAC2368
12	Protect Cushion	DEC2938	57	Slide Sheet 1C	DAH2404
13	VR Stay	DNF1663	58	Display Panel	DAH2435
14	Earth Plate P	DNH2714	59	Ring Lens	DNK3880
15	JOG Plate	DAH2052	60	Tempo Lens	DNK3882
16	JOG Panel	DAH2182	61	Card Lens	DNK3885
17	SW Spring 25	DBH1514	62	Eject Guard	DNK3958
18	Gear Spring 200	DBH1525	63	Control Panel	DNK4568
19	Arm Spring	DBH1566	64	Slide Knob	DNK4656
20	SW Cushion HH48/2	DEC2538	65	Mode Lens	DNK4701
21	Ring Cushion L24/2.0	DEC2958	66	Set Knob (PLAY) Assy	DXB1909
22	Encoder Plate	DEC2889	67	•••••	
23	Protect Sheet	DEC2945	68	Washer	WA52D120D25
24	FL Sheet	DEC2946	69	Screw	BPZ20P100FTC
25	Gear Plate	DNH2713	70	Screw	IPZ30P100FTC
26	JOG B	DNK4068	71	Screw	BPZ20P060FTC
27	SW Ring	DNK4070	72	Screw	BPZ30P080FTB
28	Adjust Plate	DNK4178	73	Flange Nut M9	DBN1008
29	JOG A	DNK4556	74	Screw	DBA1265
30	JOG Holder 1000	DNK4558			
31	Gear Arm	DNK4559			
32	Gear	DNK4560			
33	Smoother	DNK4561			
34	Gear A	DNK4562			
35	Joint Gear 1	DNK4563			
36	Joint Gear 2	DNK4564			
37	Joint Gear 3	DNK4565			
38	Compressor Plate	DNK4566			
39	Cam Plate	DNK4567			
40	Sheet SW	DSX1065			
41	Roller A Assy	DXB1825			
42	JOG Stay Assy	DXB1876			
43	Roller B Assy	DXB1877			
44	Rotary Knob C	DAA1194			
45	Slide SW Knob	DAC1926			